

Cable Diagrams For SAS-1 and Associated Equipment

Date: 20 September, 2011

- | | |
|------------------|---------------------------|
| 1) Null Modem | SAS-CT/SAS-RI (RJB) to PC |
| 2) Modem | SAS-RFM/SAS-LLM to PC |
| 3) Straight-Thru | SAS-CT to SAS-RI (RJA) |
| 4) Modem | SAS-RI to SAS-RFM |
| 5) Modem | SAS-RI to DB-9M/DB-25M |
| 6) Modem | SAS-CT to SAS-RFM/LLM |
| 7) Modem | SAS-CT to DB-9M/DB25M |
| 8) Break Out | SAS-RI to SAS-RFM |



SmarTek Systems®

410-315-9727

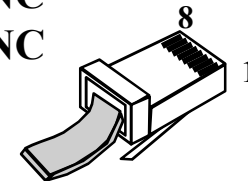
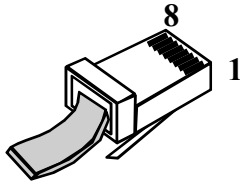
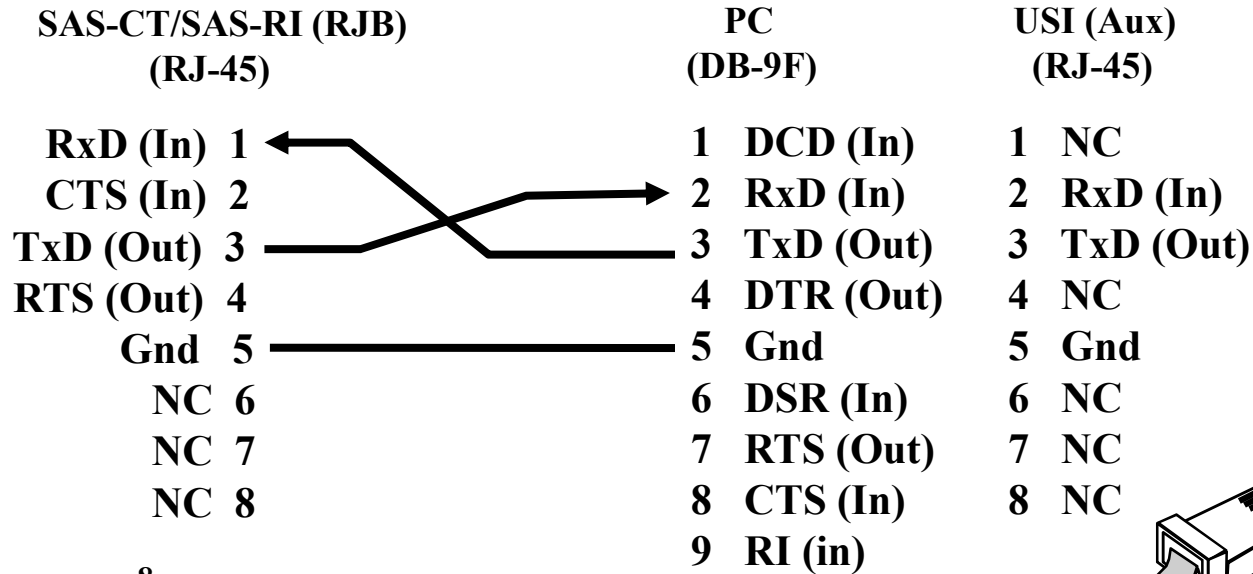
sales@smarteksys.com

www.smarteksys.com

1) Null Modem

SAS-CT/SAS-RI (RJB) to PC/USI (Aux)

Date: 07 September 2000



SmarTek Systems®

410-315-9727

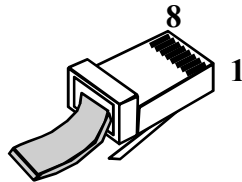
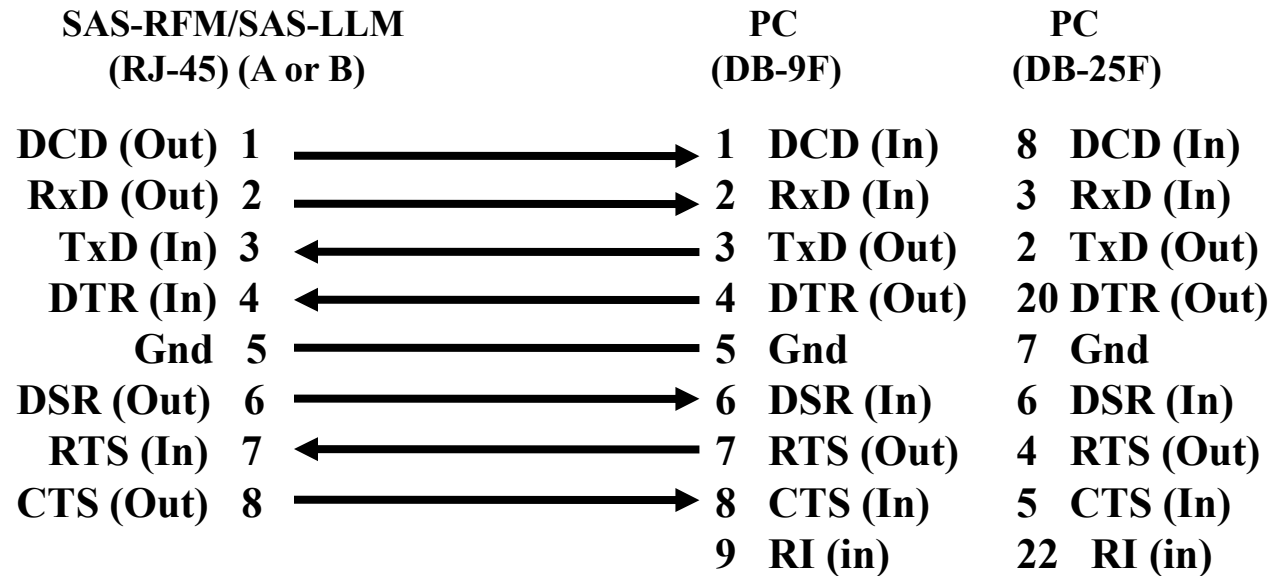
sales@smarteksys.com

www.smarteksys.com

2) Modem

SAS-RFM/SAS-LLM to PC

Date: 07 September 2000



SmarTek Systems®

410-315-9727

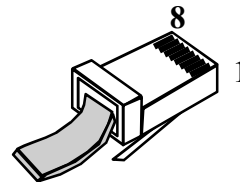
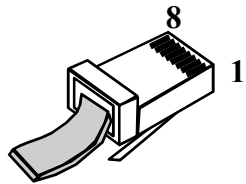
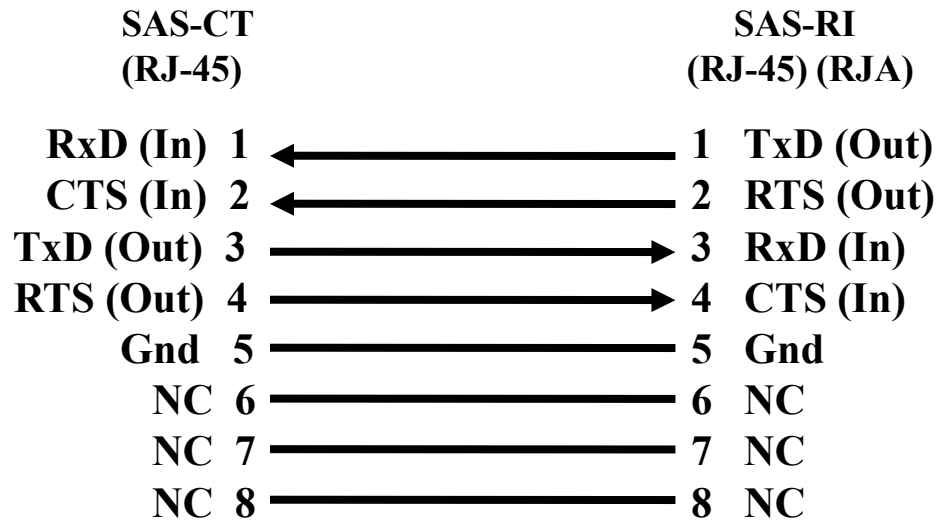
sales@smarteksys.com

www.smarteksys.com

3) Straight Thru

SAS-CT to SAS-RI (RJA)

Date: 07 September 2000



SmarTek Systems®

410-315-9727

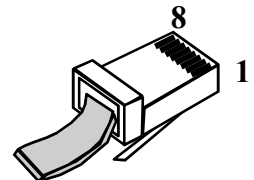
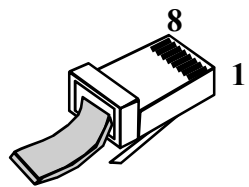
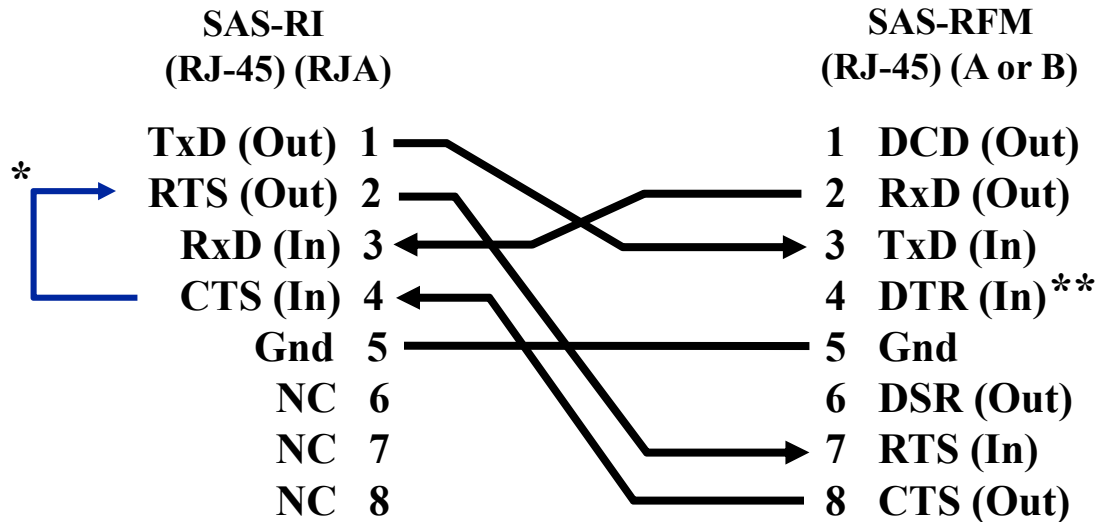
sales@smarteksys.com

www.smarteksys.com

4) Modem

SAS-RI to SAS-RFM

Date: 07 September 2000



* Make sure CTS to RTS jumper is in place in SAS-CT
 ** Jumper DTR in SAS-RFM

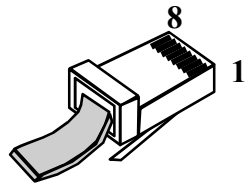
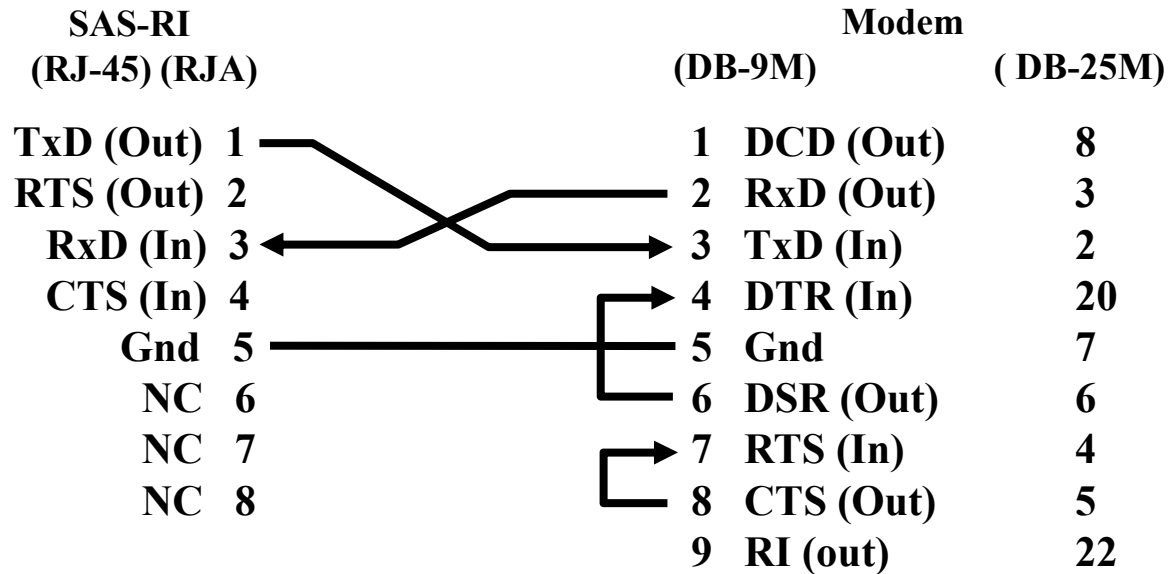


SmarTek Systems®
 410-315-9727
 sales@smarteksys.com
 www.smarteksys.com

5) Modem

SAS-RI (RJA) to LLM (DB-9M/DB-25M)

Date: 07 September 2000



SmarTek Systems®

410-315-9727

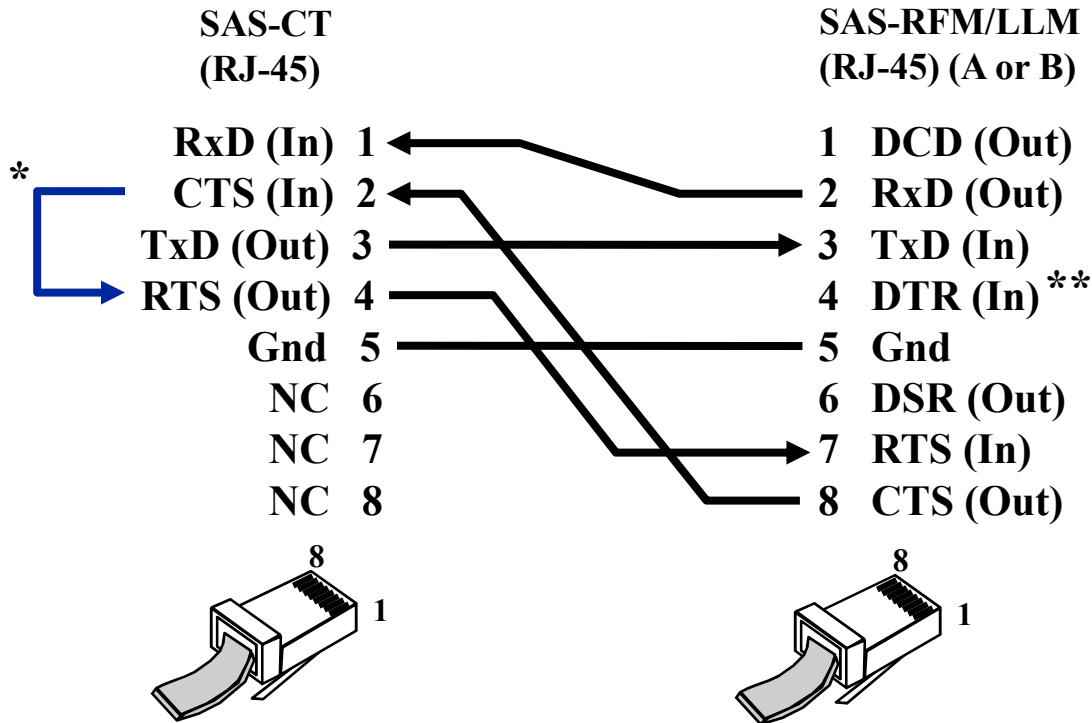
sales@smarteksys.com

www.smarteksys.com

6) Modem

SAS-CT to SAS-RFM/LLM

Date: 07 September 2000



* Make sure CTS to RTS jumper is in place in SAS-CT

** Jumper DTR in SAS-RFM/LLM



SmarTek Systems[®]

410-315-9727

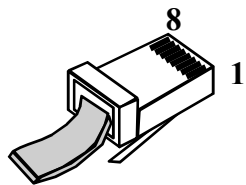
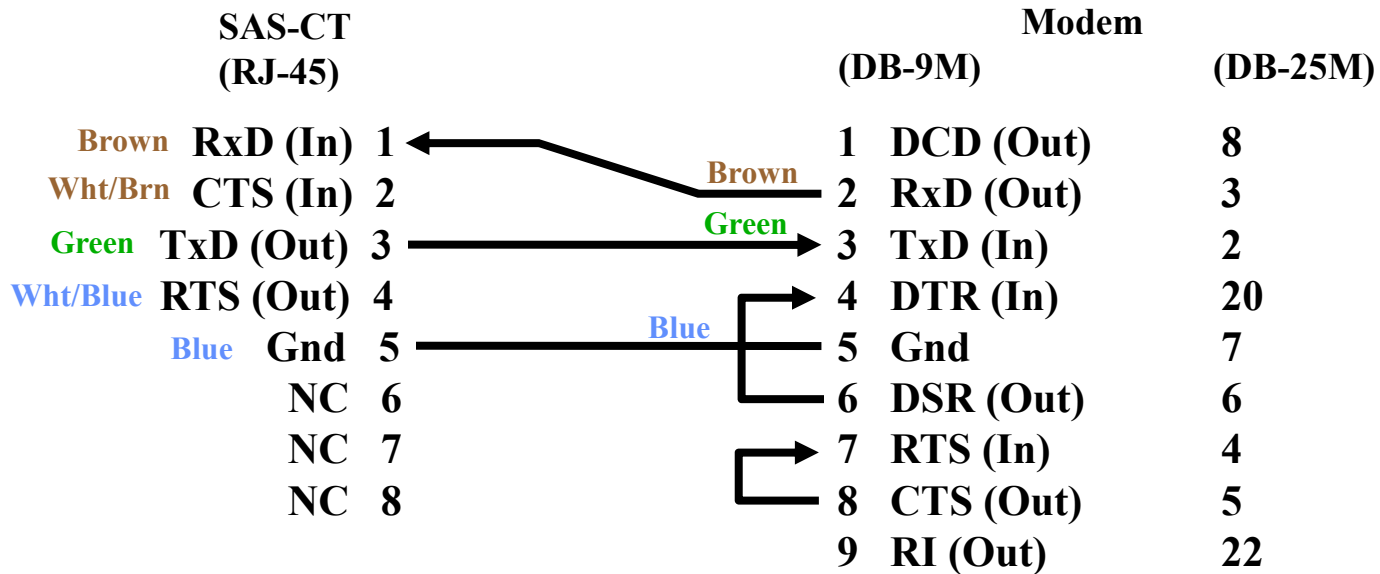
sales@smarteksys.com

www.smarteksys.com

7) Modem

SAS-CT to DB-9M/DB25M

Date: 06 September 2004



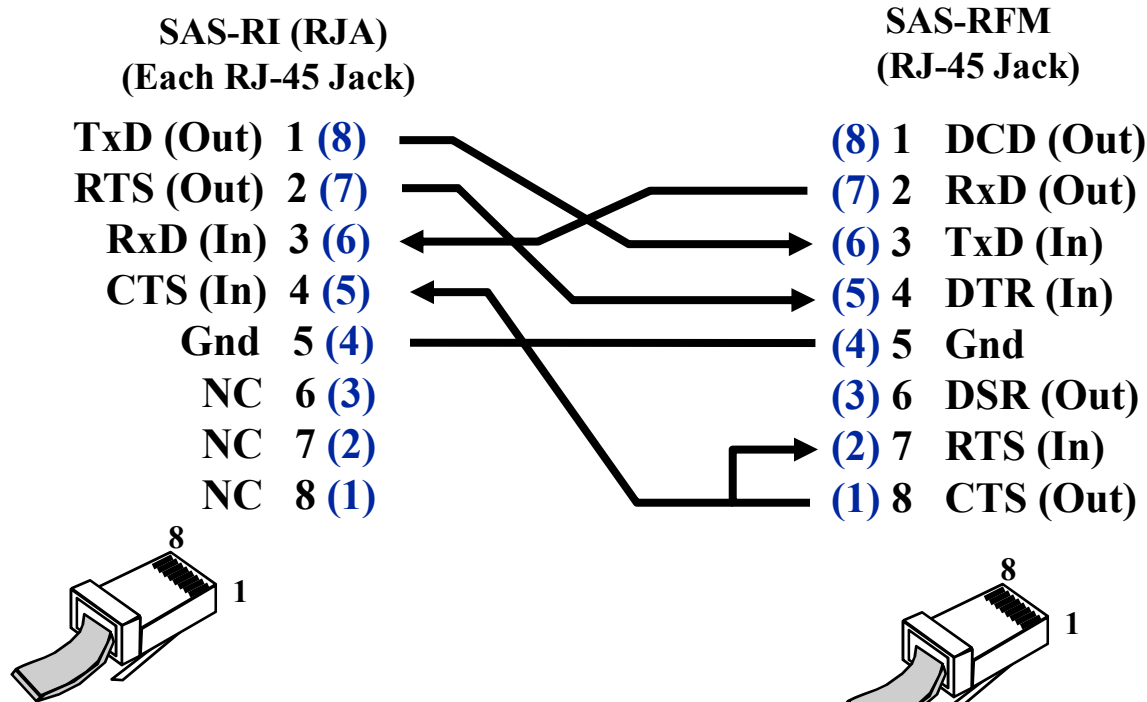
SmarTek Systems®

410-315-9727
sales@smarteksys.com
www.smarteksys.com

8) Modem

SAS-RI To RFM Breakout Box

Date: 07 September 2000



(* Numbers in parentheses are the internal 8 Pin Modular number labels

Use Straight Thru cables from SAS-RI (RJA) to the break-out box and and from the break-out box to the RF Modem.



SmarTek Systems[®]

410-315-9727

sales@smarteksys.com

www.smarteksys.com